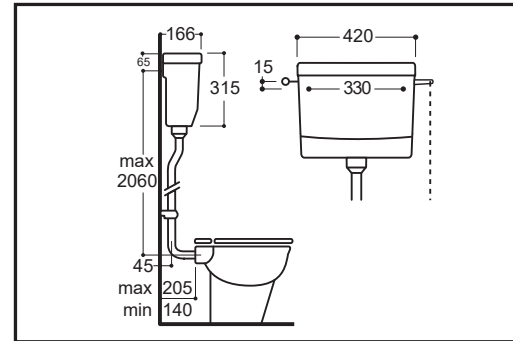
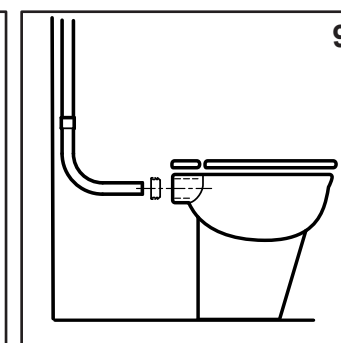
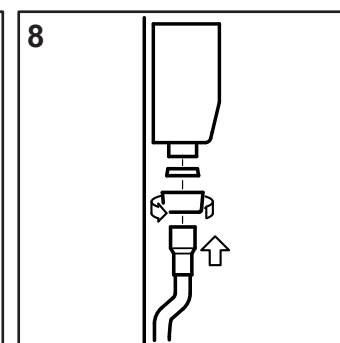
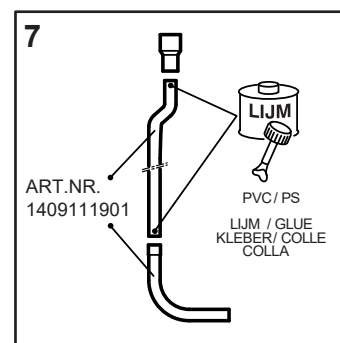
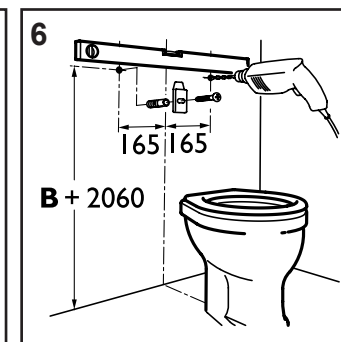
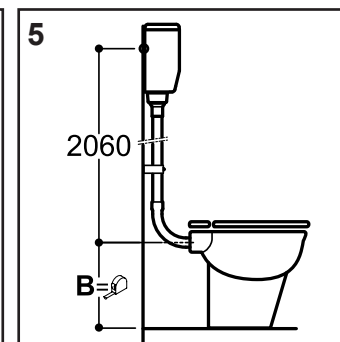
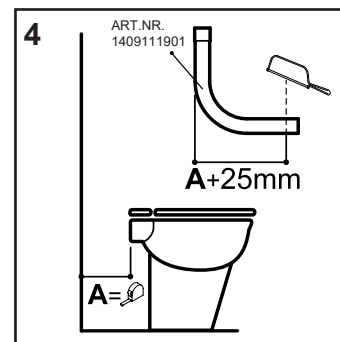
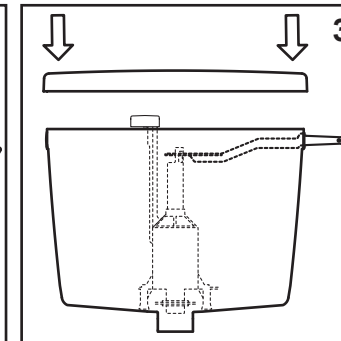
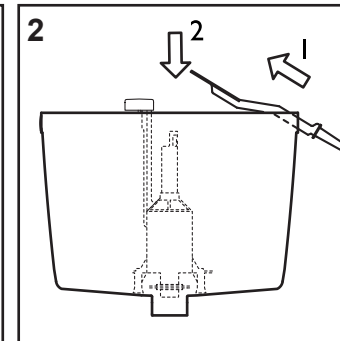
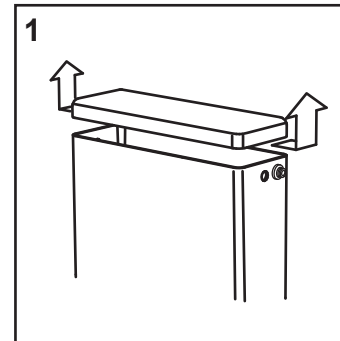
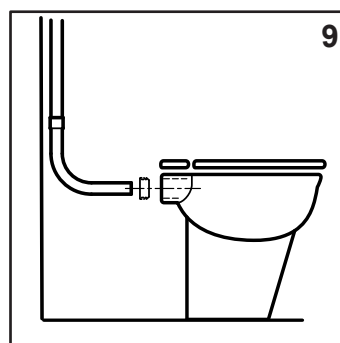
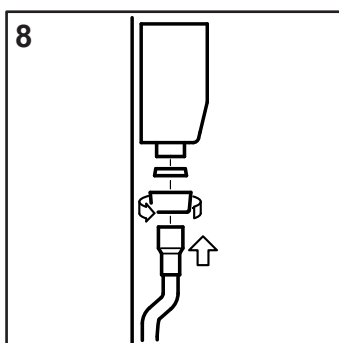
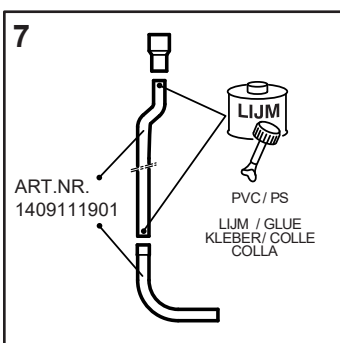
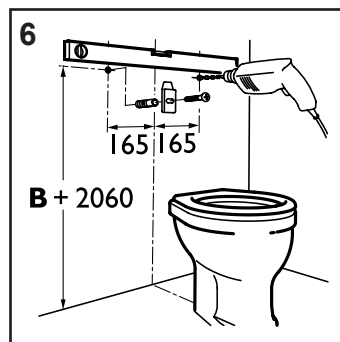
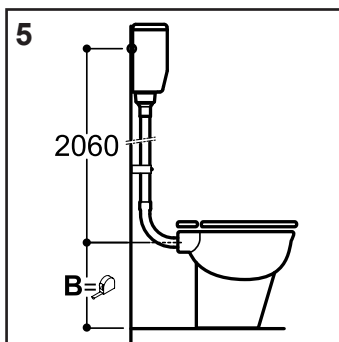
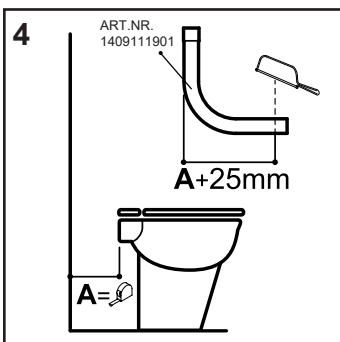
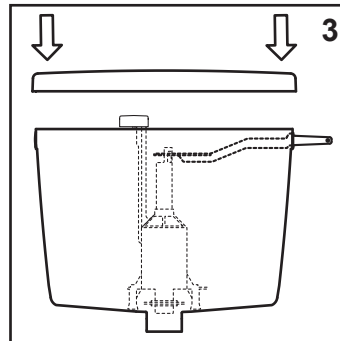
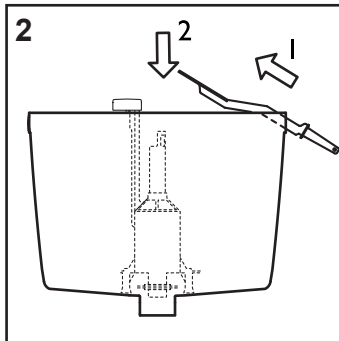
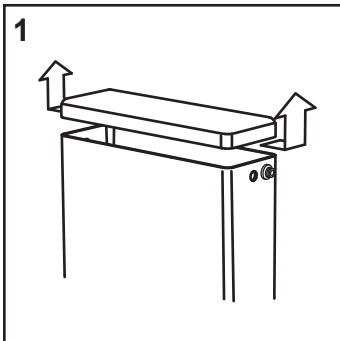
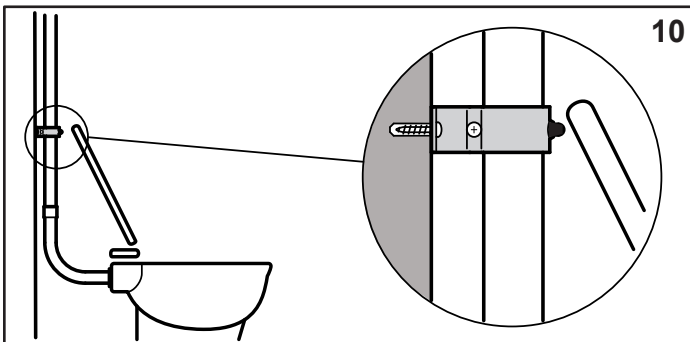


kiwa
gecertificeerd

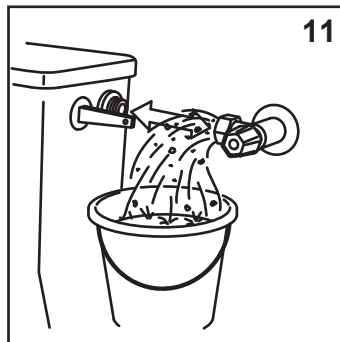


kiwa
gecertificeerd



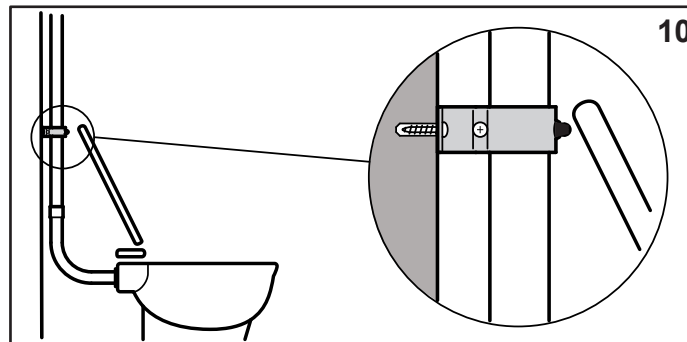


10

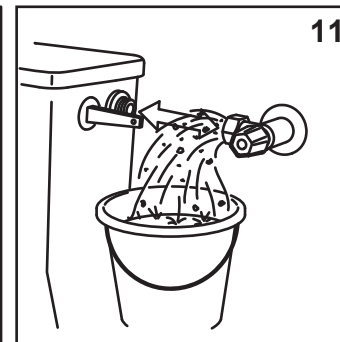


11

Opt.A: bediening links
 Bedienung links
 operated left
 déclenchement gauche
 operato sinistra

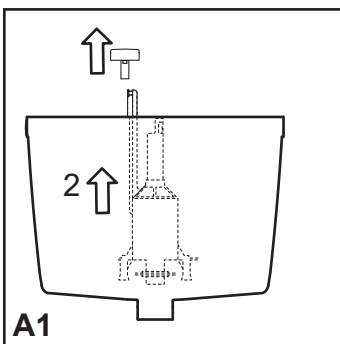


10

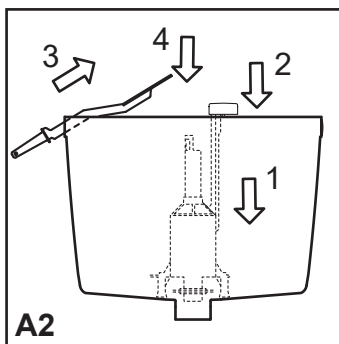


11

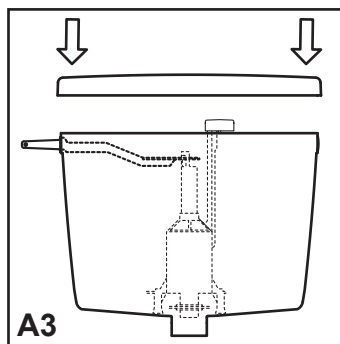
Opt.A: bediening links
 Bedienung links
 operated left
 déclenchement gauche
 operato sinistra



A1



A2

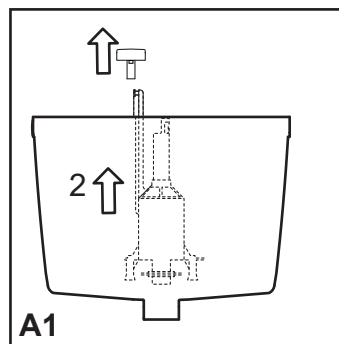


A3

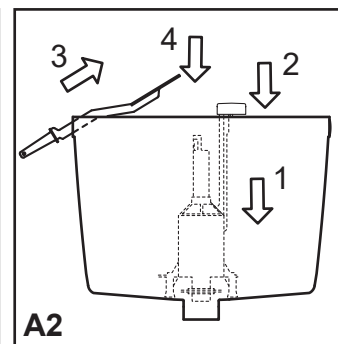
Opt.B: wateraansluiting
 Wasseranschluss
 water connection
 alimentation
 allacciamento acqua

links
 links
 left
 gauche
 sinistra

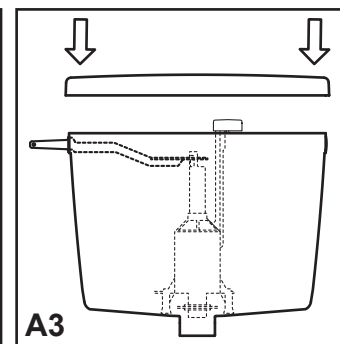
middenachter
 hinten mittig
 connection back
 arrière
 indietro



A1



A2

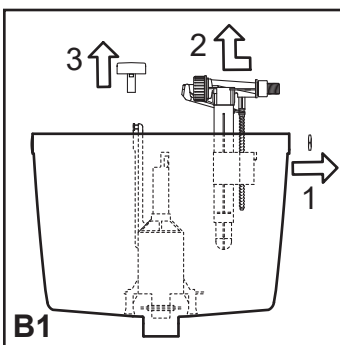


A3

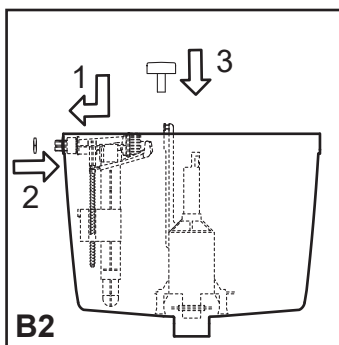
Opt.B: wateraansluiting
 Wasseranschluss
 water connection
 alimentation
 allacciamento acqua

links
 links
 left
 gauche
 sinistra

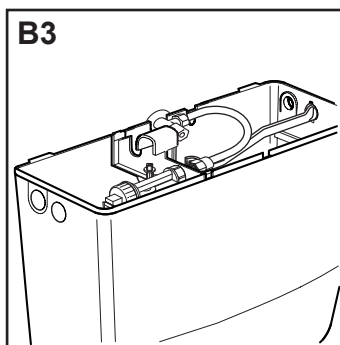
middenachter
 hinten mittig
 connection back
 arrière
 indietro



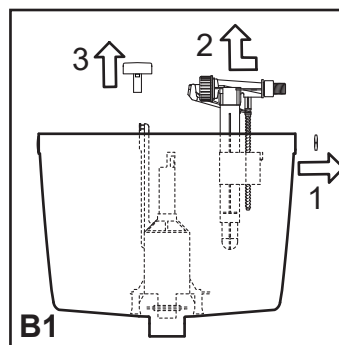
B1



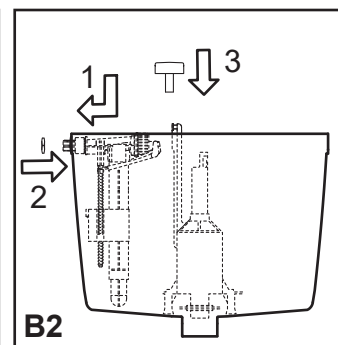
B2



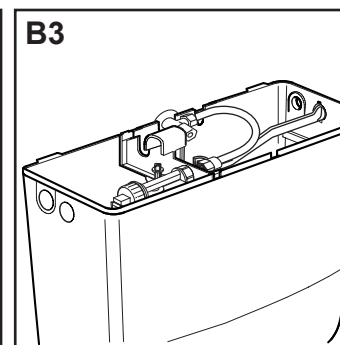
B3



B1



B2



B3